

BajuJET™

L X

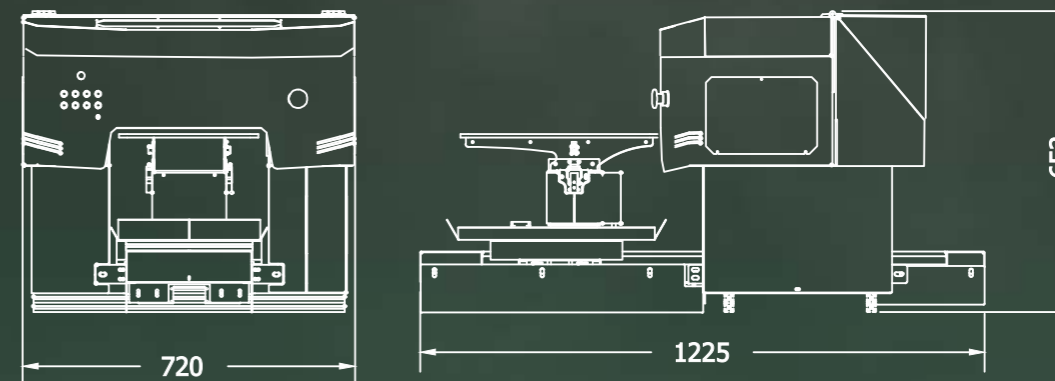
Most Advanced Desktop-size
DTG Printer



© COPYRIGHTS RESERVED BY HONGJET 2018

Specification

Printhead Nozzles	8 x 180 nozzles
Ink Type	RapidCURA 2 - Waterbased Textile Ink
Ink Volume	80ml bottle for CMYK ink, 200ml Ink Bag for White ink
Colors	CMYK + W
Max Print Area	12" x 17" or 305 x 430mm
Z Height	1.5" or 38mm
Print Resolution	1440x720, 1440x1440, 2880x1440 dpi
Platen (default)	12" x 17" or 305 x 430mm
Connectivity	Wireless LAN (Wifi) or Ethernet LAN (Wired)
Software	Hardware Embedded RIP (Win/Mac/Linux/Android/iOS/etc)
Dimension	720W x 1225L x 652H mm or 28W x 48L x 26H in
Weight	90kg or 200lbs
Power Requirements	200~240V @ 50Hz or 100-110V @ 60Hz
Power Consumption	220V 1A @ 220Watt



Empowered By:



Design and Manufactured By:

HONGJET®

HongJET Technology Sdn Bhd

7, Lorong Perusahaan Ringan 1, Kawasan Perusahaan Ringan, 68100 Batu Caves, Malaysia.

Tel: +603-61888880 Email: sales@hongjet.com.my

Vibrant Colors



RapidCURA 2 DTG ink cures in 35 seconds at 180 deg C with White ink

Motorised Z-axis



Z axis adjustable height of 1.5" or 38mm can be Hand- or Motor-operated. Optical sensor is used to ensure consistent print distance.

Maintenance System



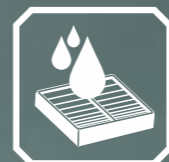
White Ink Maintenance



Fast Light Clean



Wiper Self Cleaning



Cap Self Moisturising

Good and practical Maintenance System is key to success for DTG printer. Both Manual and Automatic features are available.

FREE RIP Software



Wireless Connection



White Mask Shrink



CMYK Color Boost



Quick Artwork Search



Advanced Features:

- Blend-in White Mask (Soft/Hard Shrinking)
- CMYK color boost
- Smart Picture Search
- Platen Template



Standard Features

- Built-in RIP software
- Multiple User access
- Wireless Connection
- Mobile/Tablet Friendly



1.Upload



2.Settings



3.Print

Platens



T-shirts
Canvas Bag



Kids T-shirts
Apron



Sleeves
Chest Logos



Shoes



Long Sleeves



Jeans

